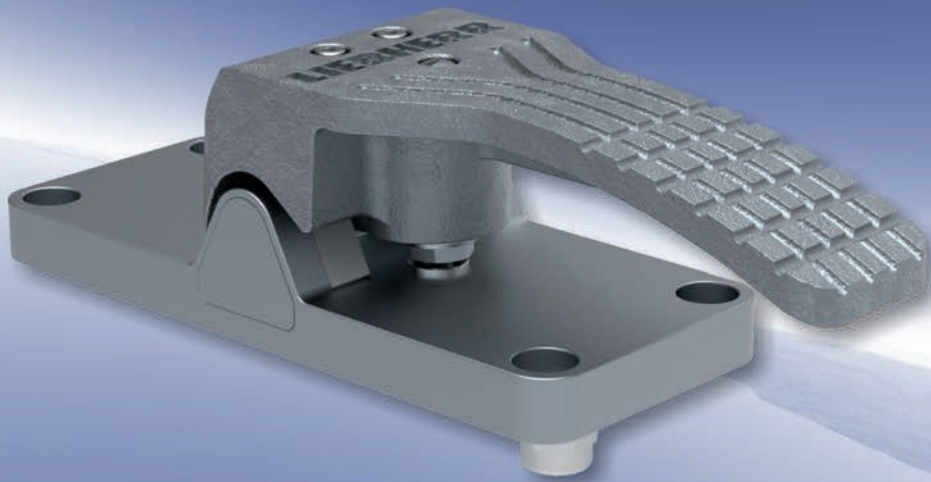


Measurement and Sensor Systems



Pedal Actuated Transmitter



Pedal Actuated Transmitter

Hydraulically actuated controlling equipment, for example in

- **Construction and drilling vehicles**
- **Cranes and excavators**
- **Wheel loaders and lifting platforms**
- **Forklifttruck and rack feeder**

are controlled to an increasing degree electronically nowadays.

Especially for these applications (under consideration of extreme operating conditions) our pedal actuated transmitters of series FS2000 were designed for.

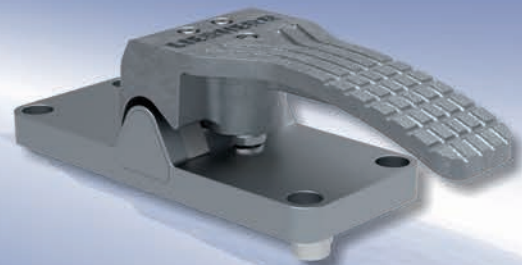
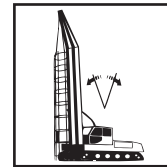
They allow the output of electrical control signals according to the pedal move.

Signal is carried out via wearless non-contact magnetic systems.

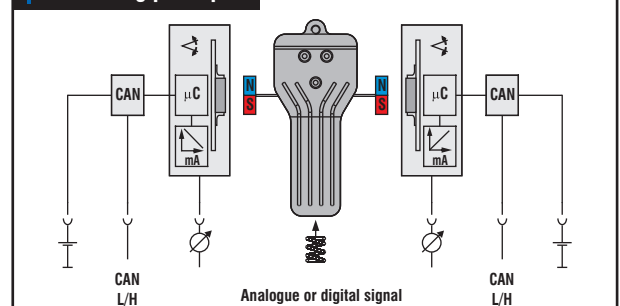
Control signals are output either analogue (4 - 20 mA, 0 - 10 V) or digital (CANopen interface) by means of an incorporated electronics.

For security-relevant applications according to IEC 61508 SIL (Safety Integrated Level) respectively ISO 13849 PL (Performance Level) all models are available with redundant interfaces.

Application range



Measuring principle

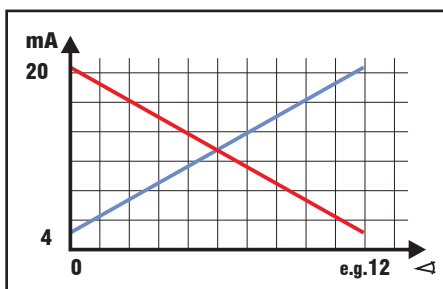


Specifications

System versions	Magnetic systems			
Models				
Series	FS - S	FS - P	FS - G	FS - W
Electrical data				
Output signal	2 x 4-20 mA, opposite signal		2 x 4-20 mA, opposite signal	
Burden	max. 600 Ω each		max. 600 Ω each	
Supply	2 x 18-33 VDC		2 x 18-33 VDC	
Current consumption	approx. 80 mA each channel		approx. 80 mA each channel	
Digital output				
Output signal	CANopen		CANopen	
Supply	2 x 18-33 VDC		2 x 18-33 VDC	
Current consumption	approx. 80 mA each channel		approx. 80 mA each channel	
Mechanical data				
Material	Alu, passivated		Alu, passivated	
IP code (casing)	IP 68		IP 68	
Electrical connection	Plug or cable		Plug or cable	
Angle of pedal	approx. 12°	24°	20°	20°
Actuating force	20 N		20 N	20 - 30 N
Weight	1000 g		1000g	1300 g
Temperature range	-30°C up to + 70°C		-30°C up to + 70°C	
Vibration	5...200 Hz, 10g		5...200 Hz, 10g	
Shock	50g, 6ms		50g, 6ms	

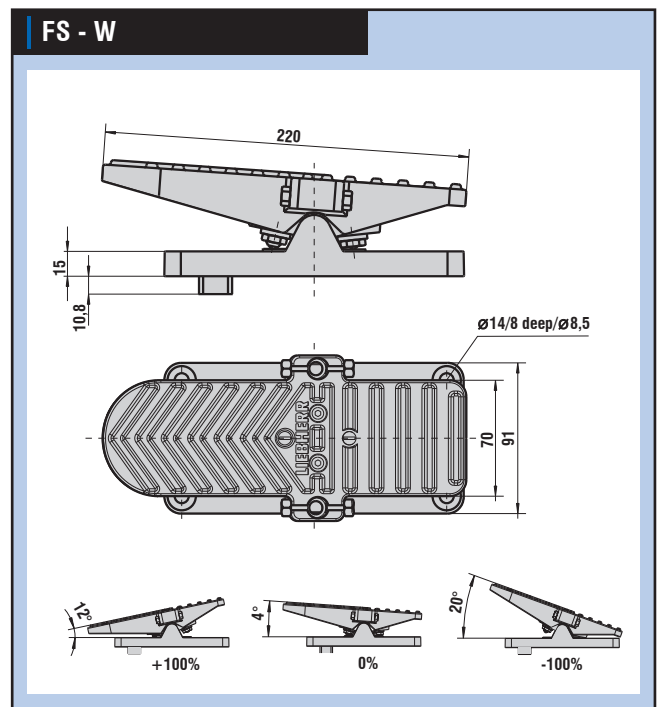
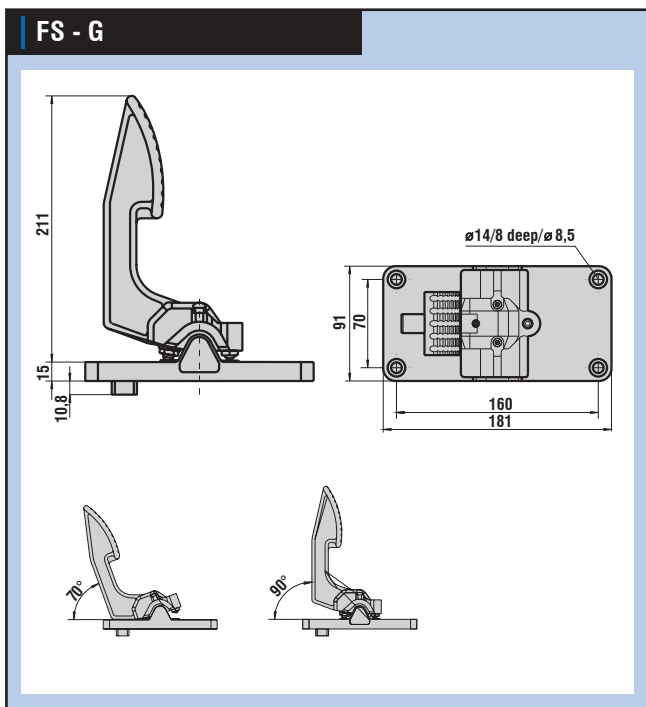
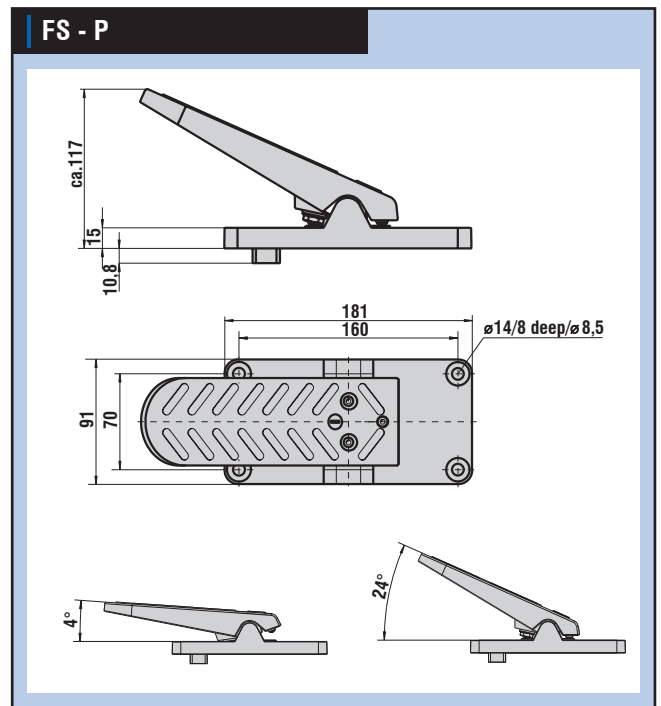
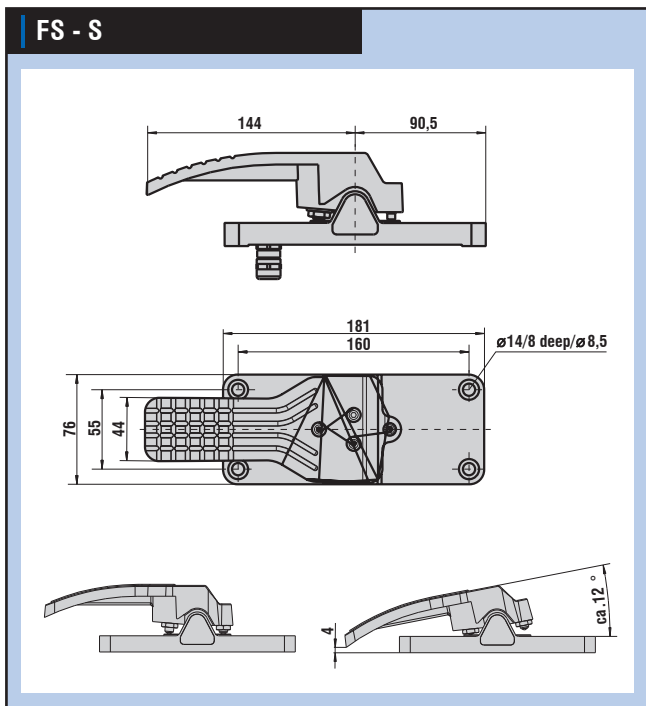
General data	
Test voltage	500 V, 50 Hz, 1 min.
EMC	according to DIN 61 000-6-4, DIN 61 000-6-2
Redundant control systems according to IEC61508 (e.g. SIL2) and CANopen safety available	

Opposite signal



On request also in version according to IEC 61508, SIL (Safety Integrated Level) or ISO 13849, PL (Performance Level)

Models



Berlin

Fernsteuergeräte
Kurt Oelsch GmbH
 Jahnstraße 68 + 70
 D-12347 Berlin
 Phone +49 (0 30) 62 91 - 1
 Fax +49 (0 30) 62 91 - 277
 info@fernsteuergeraete.de
 www.fernsteuergeraete.de

Kablow

FSG Fernsteuergeräte
Meß- und Regeltechnik GmbH
 OT Kablow
 Mühlenweg 2 - 3
 D-15712 Königs Wusterhausen
 Phone +49 (0 33 75) 269 - 0
 Fax +49 (0 33 75) 269 - 277

Heppenheim

Fernsteuergeräte
Kurt Oelsch GmbH & Co.KG
 Weiherhausstraße 10
 D-64646 Heppenheim
 Phone +49 (0 62 52) 99 50 - 0
 Fax +49 (0 62 52) 72 05 - 3