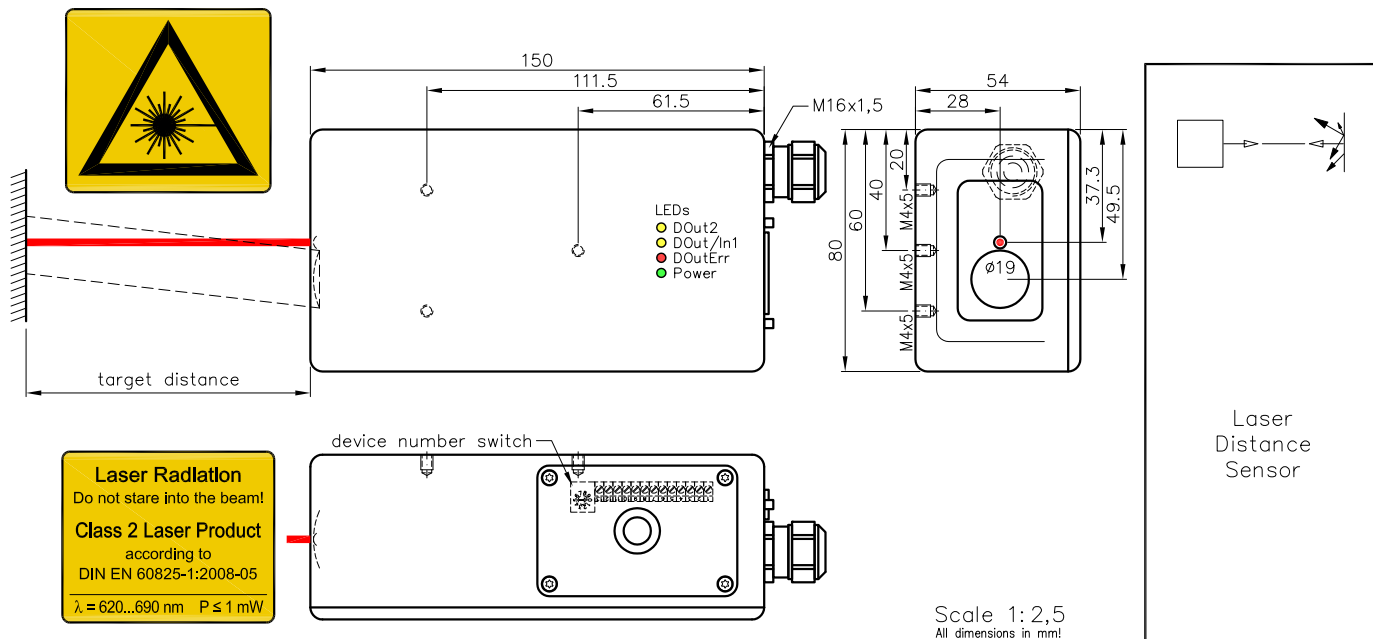


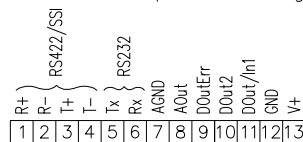
Laser Distance Sensor Type PLDM1030(H)



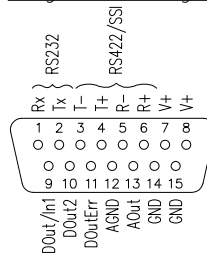
Technical Characteristics:

Housing	Al-Cast
Weight	approx. 720g
Protection mode	IP65
Connection	plug & terminal strip
Supply	standard: 9...30VDC/600mA version ...H: 24...30VDC/2500mA
Output	1x serial async. interface RS232 1x serial async. interface RS422 1x SSI output 1x prog. analog output 0/4...20mA 2x programmable digital output 1x programmable digital input 1x digital output for error status
Transmitter light	650nm, visible
Radiant power	max. 0,95mW, Class 2 (DIN EN 60825-1:2008-05)
Beam diameter	4mm@5m, 8mm@10m, 15mm@30m
Typical measuring accuracy	$\pm 3\text{mm}@2\text{m}$
Measurement time	single: typical 0,3...4s (*) tracking: typical 0,004...4s (*)
	(*): the real measurement time depends on the chosen processing mode
Power indicator	LED green
Switch indicator	LEDs red, yellow
Operating Temperature	-10...+50°C (standard) -40...+50°C (with option h)

Terminal strip connecting diagram:



Plug conn. diagram:



Signal description:

V+, GND	:Supply
AOut	:Analog output 0/4...20mA
AGND	:Analog ground
DOut/In1	:Digital input or output 1
DOut2	:Digital output 2
DOutErr	:Digital output error status
R+, R-	:RS422 receive lines or SSI clock input lines
T+, T-	:RS422 transmit lines or SSI data output lines
Rx	:RS232 receive line
Tx	:RS232 transmit line

Hint:

Please refer to the manual for details of the sensor.

PLDM1030
 PLDM1030H

Order no.:

4901
 4901H

Accessories:

- Optical filters
- Adjustment flange JFBEC
- Elbow tube adjustment ADPLDM1030SS1
- Rain roof RDPLDM1030
- Cooling water flange

Options:

- Version with heating: PLDM1030H (#4901H)
- Typical measuring accuracy $\pm 1\text{mm}@2\text{m}$ (PLDM1010)
- Field Bus (Profibus)